

Coating Thickness Testers



Calotest

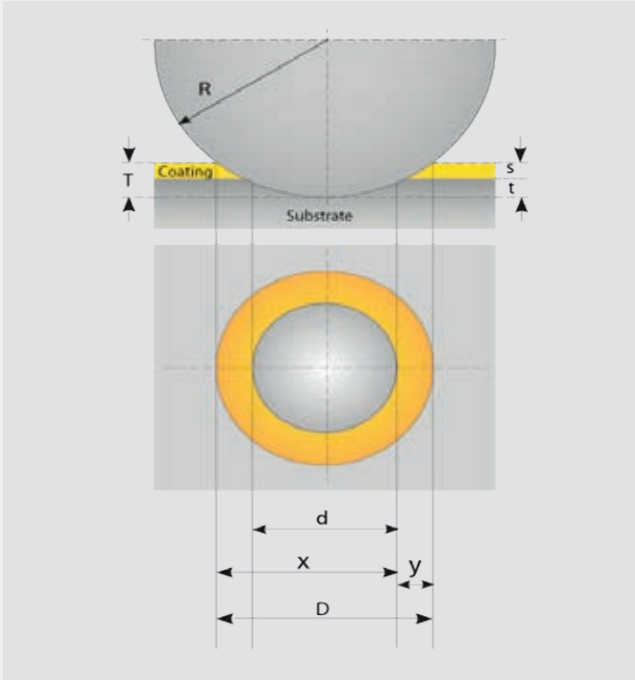
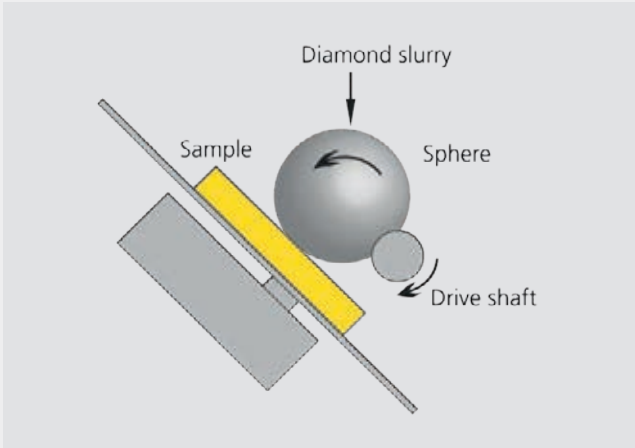


Quick and Simple Determination of Coating Thicknesses

The Calotest instruments from Anton Paar provide quick, simple and inexpensive determination of coating thicknesses. Employing the simple ball-cratering method, the thickness of any kind of single or multi-layered coating stack is accurately checked in a short time, in full compliance with relevant international standards.

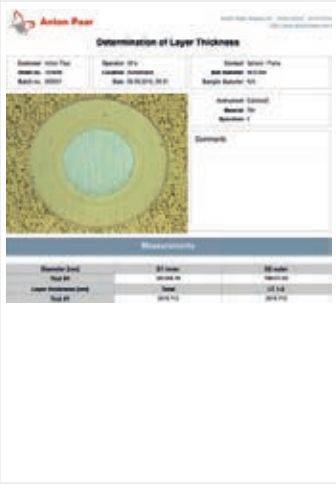
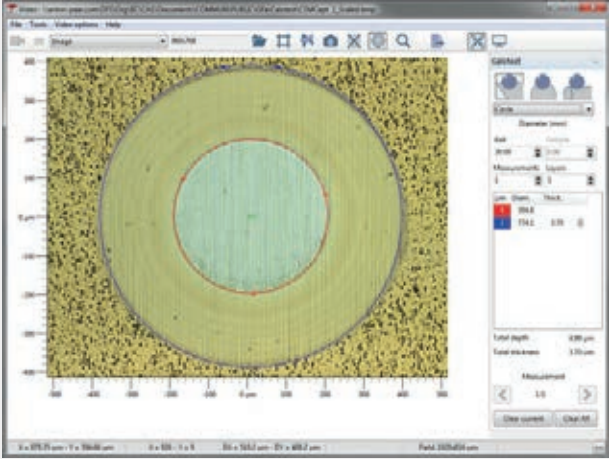
Spherical abrasion test method:

A small crater is ground into a coating with a ball of known geometry, providing a tapered cross-section of the film when viewed under an optical microscope. In this way Calotest instruments measure the thickness of coatings in a very short time of just 1 to 2 minutes.



Easy and accurate evaluation of results:

The video module in the form of a USB color camera with two kinds of objectives (5x and 10x magnification) and a resolution of 1.3 Megapixel (1280 x 1024) supplies the software with the crater picture. Based on the pictures and by performing line measurements and also taking the contact geometry into consideration, the software can calculate the coating thickness of the sample. In this way single and multilayer analysis in accordance with ISO 1071-4 can be performed. Automatically generated user-defined reports provide complete documentation.



Three Models



Calotest Compact (CATc):

The CATc is widely used for analyzing coatings with thicknesses between 0.1 μm and 50 μm . Typical measured materials include CVD, PVD, plasma spray coatings, anodic oxidation layers, chemical and galvanic deposits, polymers, paints and lacquers. Flat, spherical or cylindrical samples can be fixed in the sample holder.



Calotest Industrial (CATi):

The CATi measures the thickness of coatings in a typical time of 2 to 5 minutes. In this industrial version the motor is fixed on a hydraulic arm, allowing you to target samples of unlimited size. It is the ideal instrument for quick and precise determination of coating thickness on common industrially coated components.



Calotest Combo (CATcombo):

The CATcombo is the perfect combination for testing both small and relatively large samples with one instrument and output device.

Calotest Compact (CATc) | Calotest Industrial (CATi) | Calotest Combo (CATcombo):

Shaft speed	10 rpm to 3,000 rpm
Abrasion time ranges	1 seconds to 10,000 seconds
Standard ball diameters	10, 15, 20, 25.4, 30 mm
International standards	EN 1071-2:2002, VDI 3198, ISO 26423:2009

